

PRODUCT INFORMATION PACKET

Model No: 5KH32DN5587X
Catalog No: 4725
1/4,1725,DP,48Y,1/60/115
Carbonator Pump



Regal and Marathon are trademarks of Regal Beloit Corporation or one of its affiliated companies.
©2018 Regal Beloit Corporation, All Rights Reserved. MC017097E

Product Information Packet: Model No: 5KH32DN5587X, Catalog No:4725 1/4,1725,DP,48Y,1/60/115

Nameplate Specifications

Output HP	1/4 Hp	Output KW	0.19 kW
Frequency	60 Hz	Voltage	115 V
Current	5 A	Speed	1725 rpm
Service Factor	1	Phase	1
Efficiency	52.5 %	Duty	Continuous
Insulation Class	B	KVA Code	S
Frame	48Y	Enclosure	Drip Proof
Overload Protector	AUTO	Ambient Temperature	40 °C
Drive End Bearing Size	6203	Opp Drive End Bearing Size	6203
UL	Recognized	CSA	Yes
CE	N		

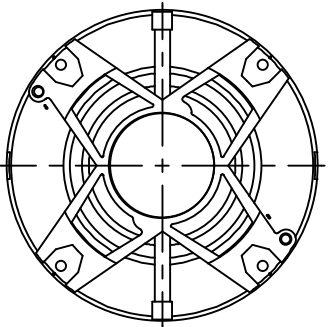
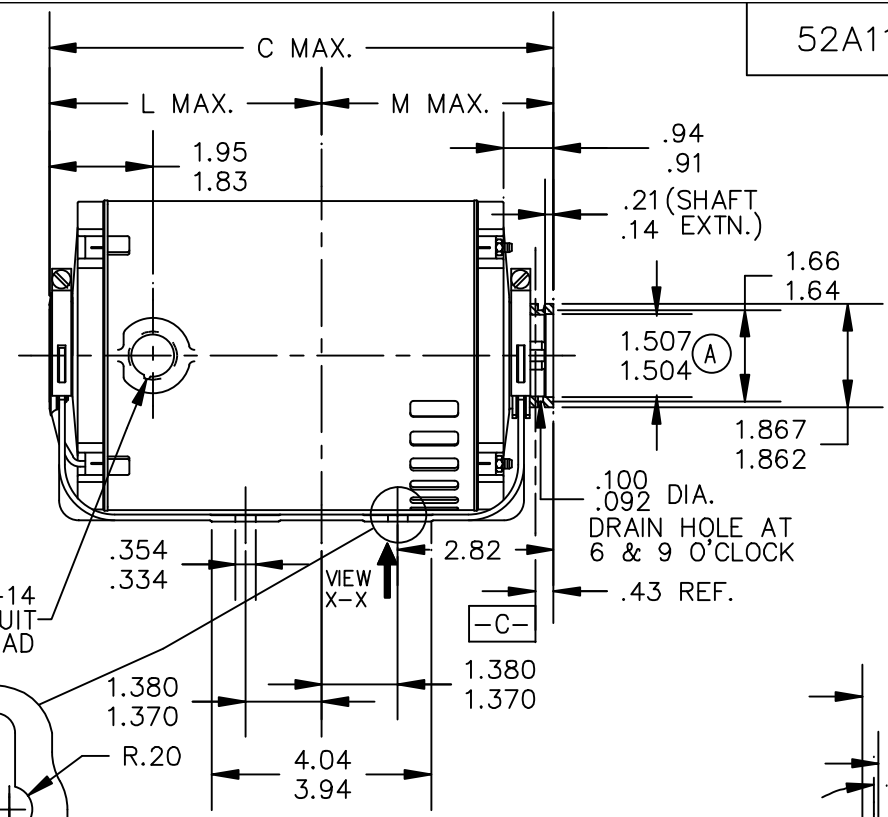
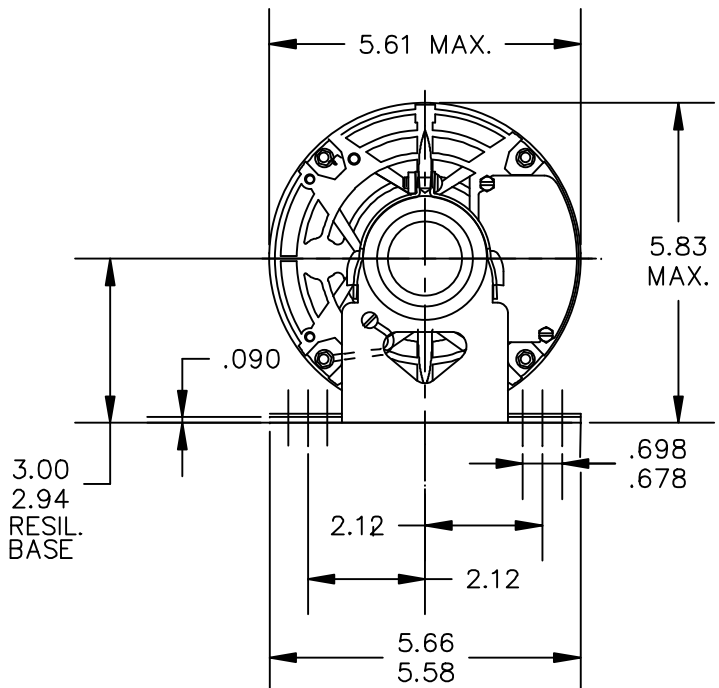
Technical Specifications

Electrical Type	Split Phase	Starting Method	SM
Poles	4	Rotation	Counterclockwise/Clockwise
Mounting	Resilient Base	Motor Orientation	ANY
Drive End Bearing	BALL	Opp Drive End Bearing	BALL
Frame Material	Rolled Steel	Overall Length	7.79 in
Frame Length	5.16 in	Shaft Diameter	0.5 in
Shaft Extension	0.17 in		
Outline Drawing	52A113052P1	Connection Diagram	52A105379AA

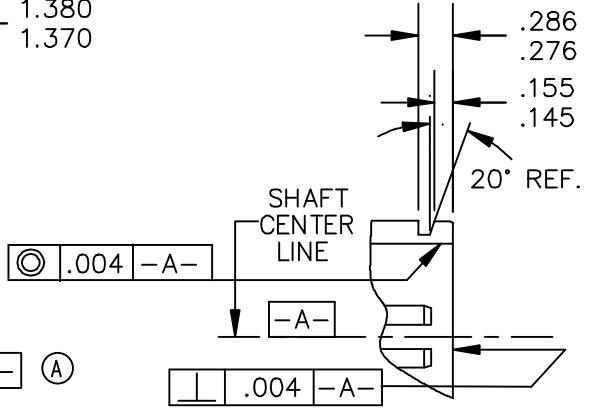
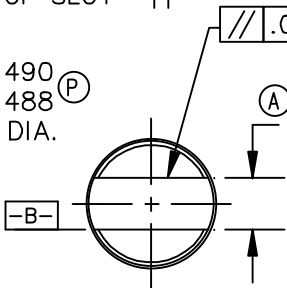
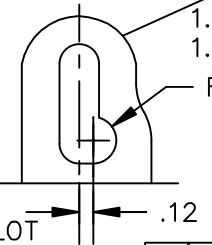
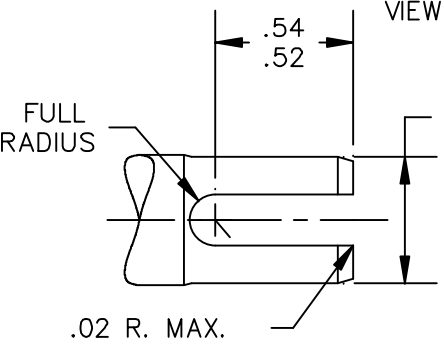
This is an uncontrolled document once printed or downloaded and is subject to change without notice. Date Created: 10/08/2018

52A113052

CONTROL SURFACES & DIMENSIONS
 (P) PROC.
 (E) ENG.
 (A) APPL.
 (R) REG.



VIEW SHOWING P.E. VENTILATION OPENINGS



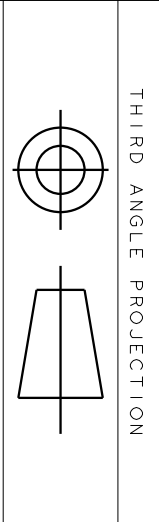
1	KH	32	48Y	7.79	3.55	4.28
P	TYPE	RBC SIZE	NEMA FR	C	L	M

				TOLERANCES UNLESS SPECIFIED		DRAWN GD 10/25/05	
				DEC.	INCHES	CHK	
				.X	±0.1	APPD GD 10/25/05	
3	PART # 2 DELETED AS PER IS12-4648	UD	9/26/12	KK	.XX	±0.02	SCALE 1=1
2	CHG GD LD FROM 4:30 TO 7:30 PER IS11-0510.	UD	9/24/12	PKG	.XXX	±0.005	REF
1	ADDED CORE SET TO PART #2.	KK	13/03/12		.XXXX	±0.0005	FMF
NO.	REVISION	BY & DATE	CHK	ANG	±1.0	FINISH	PREV
				RFP		CAD FILE 52A113052	SIZE A
				DIST			DRAWING NO. 52A113052
							REV. 3



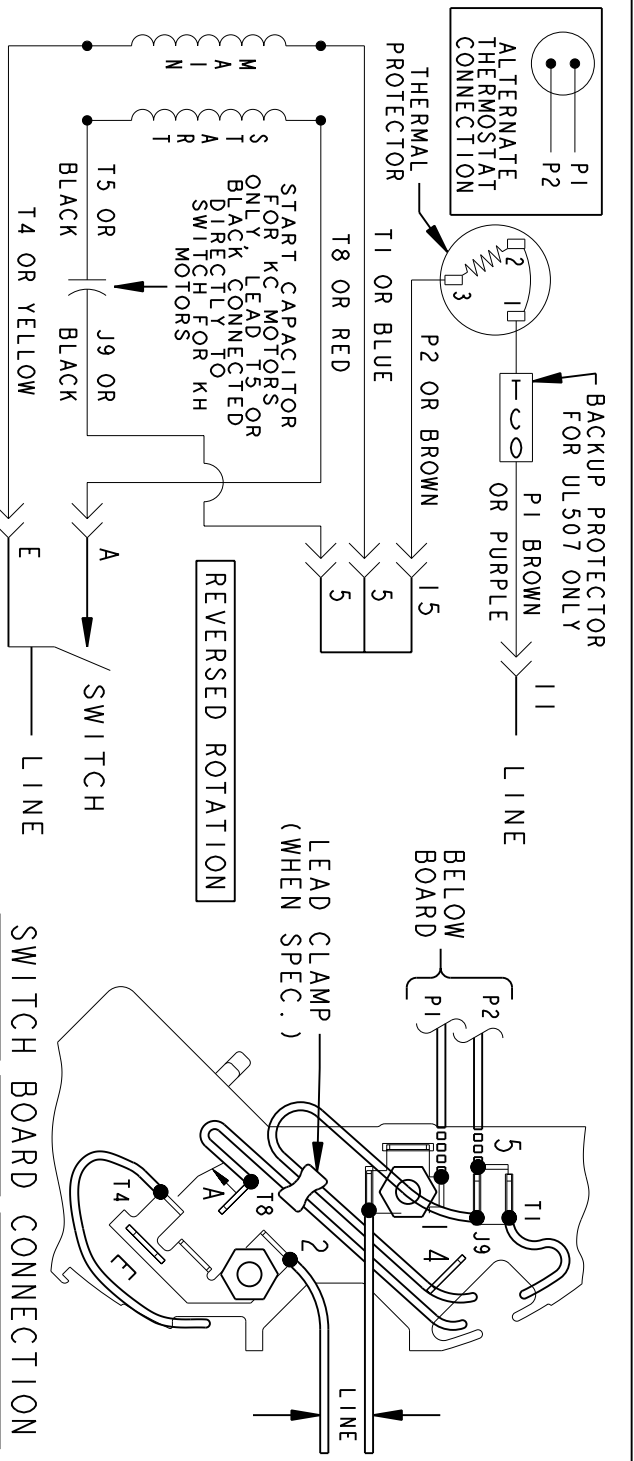
TITLE: OUTLINE
 CARBONATOR PUMP - OPEN - RESIL. BASE

THIS DRAWING IN DESIGN AND DETAIL IS OUR PROPERTY AND MUST NOT BE USED EXCEPT IN CONNECTION WITH OUR WORK. ALL RIGHTS OF DESIGN AND INVENTION ARE RESERVED. THIS IS AN ELECTRONICALLY GENERATED DOCUMENT - DO NOT SCALE THIS PRINT.



REV.	DESCRIPTION	DATE	APPROVED
6	UPDATED FORMAT	12/01/05	MAM

EITHER ROTATION-SINGLE VOLTAGE-TYPE KC OR KH-WITH THERMAL PROTECTOR



NOTE #1 - TO REVERSE ROTATION INTERCHANGE RED (T8) AND BLACK (J9-KC OR T5-KH) LEADS.
 NOTE #2 - WHEN MORE THAN ONE CAPACITOR IS USED CONNECT IN PARALLEL.

SWITCH (C) - 115D958AB REF. DIAG. - 121A851 CONN. LABEL - 52X332048

SIGNATURES	DATE
MODEL M.D. PAPE	06/29/87
DETAIL	
CHECKED	
ENGRG	
MFG	
QUALITY	
ISSUED	M.D.P. 03/08/00
SOLID MODEL: 52A105379AA	

REGAL-BELOIT CORPORATION

REGAL-BELOIT

TITLE: **CONNECTION DIAGRAM**

SIZE: DRAWING A

SCALE: 1.000 REF. No.:

FMF - 30 FR SWITCH REDESIGN

52A105379AA

REV 6

SHEET 1 of 1